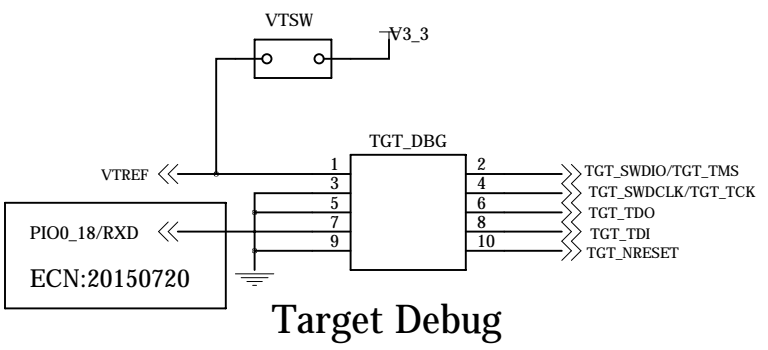


REVISION RECORD			
LTR	ECO NO:	APPROVED:	DATE:



COMPANY: <b>ARMSTART</b>			
TITLE: <b>IBDAP-LPC11U35</b>			
DRAWN: <b>LZY</b>	DATED: <b>20150610</b>		
CHECKED: <b>&lt;QC By&gt;</b>	DATED: <b>&lt;QC Date&gt;</b>	CODE: <b>&lt;Code&gt;</b>	SIZE: <b>B</b>
QUALITY CONTROL: <b>&lt;QC By&gt;</b>	DATED: <b>&lt;QC Date&gt;</b>	DRAWING NO: <b>20150801</b>	
RELEASED: <b>&lt;Released By&gt;</b>	DATED: <b>&lt;Release Date&gt;</b>	REV: <b>0.2</b>	
SCALE: <b>&lt;Scale&gt;</b>			SHEET: <b>1F 1</b>